

## 2-1/2 TON FLOOR JACK *Owner's Manual*

PROD. NO. 030415  
MOD. NO. 952B



### **WARNING:**

**Read all instructions and safety warnings before operating this equipment. Failure to follow the instructions and safety warnings may result in personal injury or property damage.**



## **WARNING**

The use of shop equipment is subject to certain hazards that cannot be prevented by mechanical means, but only by exercise of intelligence, care and common sense. It is therefore essential to have personnel involved in the use and operation of equipment who are careful, competent, trained and qualified in the safe operation of this equipment and its proper usage. Examples of hazards are dropping, tipping or slipping of parts/components caused primarily by improperly securing loads, overloading, off-centered loads, use on other-than hard, level surfaces, and using equipment for a purpose for which it was not designed.

The owner and / or operator shall study and understand the product and safety instructions before operating this equipment. Safety information shall be emphasized and understood. If the operator is not fluent in English, the product and safety instructions shall be read to and discussed with the operator in the operator's native language by the purchaser / owner or his designee, making sure that the operator comprehends their contents. A copy of these instructions / warnings shall be retained for future reference.

## **SAFETY WARNINGS**

- 1) Study, understand and follow all instructions before operating this jack.
- 2) This jack is to be used for lifting purposes only. Immediately after lifting, support the vehicle with appropriate equipment.
- 3) Use only on a hard, level surface.
- 4) Do not exceed rated capacity.
- 5) Center load on saddle.
- 6) No alterations shall be made to this product.
- 7) Do not move or dolly the vehicle while on the jack.
- 8) Lift only on areas of the vehicle as specified by the vehicle manufacturer.
- 9) Failure to comply with these warnings may result in personal injury and/or property damage.

## **INSPECTION**

A visual inspection must be done before each use, checking for abnormal conditions, such as cracked welds, leaks, damaged, loose or missing parts. This equipment must be removed from service immediately if it is believed to have been subjected to an abnormal or shock load, the equipment must be inspected by a qualified repair facility. Owners and / or operators should be aware that repair of this equipment may require specialized knowledge and facilities. It is recommended that this equipment be inspected annually by a qualified repair facility. Defective parts, decals, safety labels or signs should be replaced with Strongarm specified parts.

## OPERATING INSTRUCTIONS

### **BEFORE USING THIS EQUIPMENT:**

During shipment and handling, air can get into the hydraulic system causing poor lifting performance. Before using this equipment, purge any air from the system as follows:

- 1) Fully open the release valve by turning handle counter clockwise 1-1/2 to 2 turns.
- 2) Remove inspection plate and remove fill plug.
- 3) Lift jack so the cylinder is in the vertical position.
- 4) Oil level should be even with the bottom of the fill hole. If low, fill with NEW clean hydraulic jack oil and recheck level. **DO NOT OVERFILL!**
- 5) While holding the saddle down, operate the pump handle approximately 12 times. Release pressure on saddle and continue to pump while closing release valve.
- 6) Raise unloaded jack to maximum height and release. Jack will return to lowered position and will be ready for operation.

### **TO RAISE JACK:**

- 1) Turn the operating handle clockwise until the release valve closes. **DO NOT OVER TIGHTEN.**
- 2) Place the jack directly under the object to be lifted so that the saddle makes contact with load.
- 3) Raise jack to required height. After lifting, use Garage Stands to hold load.

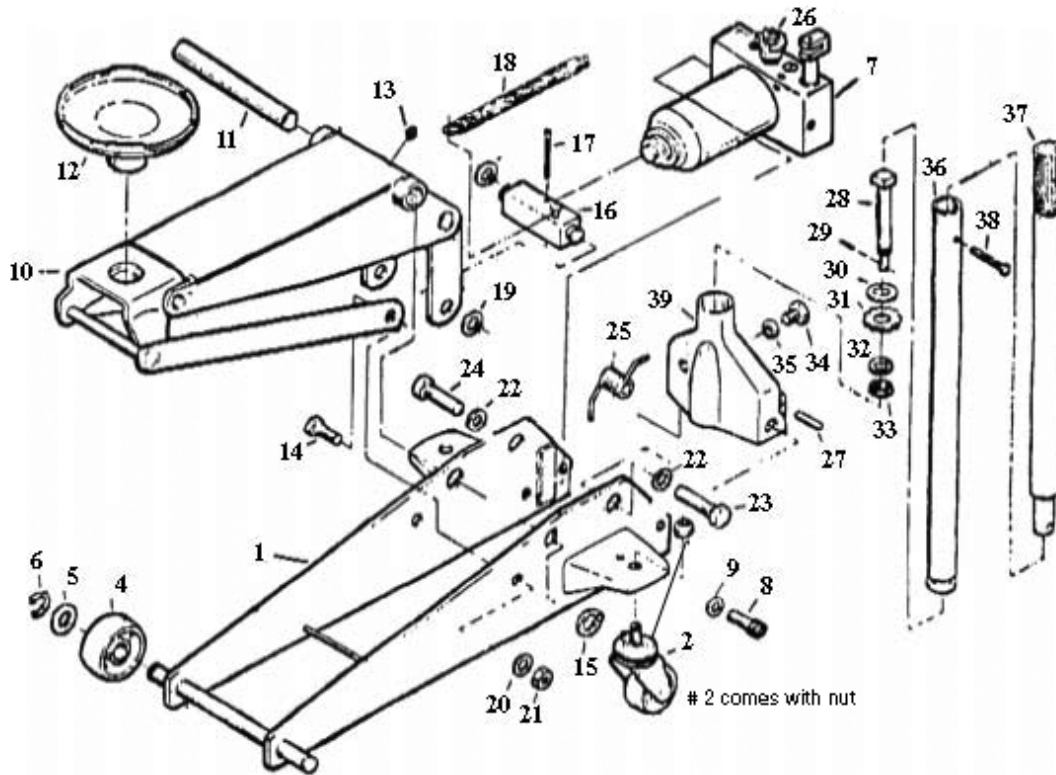
### **TO LOWER JACK:**

- 1) Slowly turn the operating handle counterclockwise. The speed of lowering is controlled by the amount the valve is opened.

### **NORMAL MAINTENANCE PROCEDURES:**

Always use good quality hydraulic jack oil. When filling with hydraulic oil do not permit dirt or any other substance to enter the hydraulic system. Inspect the jack regularly for leaks, damaged, loose or missing parts, remove from use and have unit repaired if necessary.

Always store jack in the fully lowered position.



Ref.	Part Number	Description	Req.	Ref.	Part Number	Description	Req.
1	PCN-952BP01	Side Plate	1	22	PCN-952BP22	Spring Washer	2
2	PCN-952BP02	Caster Assembly	2	23	PCN-952BP23	Bolt	1
4	PCN-952BP04	Wheel	2	24	PCN-952BP24	Bolt	1
5	PCN-952BP05	Washer	2	25	PCN-952BP25	Torsion Spring	1
6	PCN-952BP06	Retaining Ring	2	26	PCN-952BP26	Valve Gear	1
7	PCN-952BP07	Power Unit Ass	1	27	PCN-952BP27	Plunger Pin	1
8	PCN-952BP08	Socket Head Cap Screw	2	28	PCN-952BP28	Gear Shaft	1
9	PCN-952BP09	Washer	2	28	PCN-952BP28SQ	Gear Shaft Sq End	1
10	PCN-952BP10	Liftarm Assembly	1	29	PCN-952BP29	Cotter Pin	1
11	PCN-952BP11	Shaft Arm	1	30	PCN-952BP30	Washer	1
12	PCN-952BP12	Saddle	1	31	PCN-952BP31	Handle Socket Gear	1
14	PCN-952BP14	Link Bolt	2	32	PCN-952BP32	Washer	1
15	PCN-952BP15	Ring Snap	2	33	PCN-952BP33	Nut	1
16	PCN-952BP16	Block Link	1	34	PCN-952BP34	Handle Bolt	1
17	PCN-952BP17	Cotter Pin	1	35	PCN-952BP35	Spacer	1
18	PCN-952BP18	Return Spring	1	36	PCN-952BP36	Lower Handle	1
19	PCN-952BP19	Track Ring	2	37	PCN-952BP37	Upper Handle	1
20	PCN-952BP20	Lock Washer	2	38	PCN-952BP38	Hex Head Screw	1
21	PCN-952BP21	Hex Nut	2	39	PCN-952BP39	Handle Socket	1